



Profiles Design Aspirer

PDA

SLIM art steel door

SLIM series Product feature: Rich extensible forms

SLIM series can realize door, window, partition and other product forms. In these styles, each class has various fractals and makes various styles. SLIM is definitely the legendary "all-round player" from the penetration of all glass to the matching of metal plates, from the retro arc to the exquisite chess pattern, and then there are all kinds of hardware, all kinds of pressing lines and all kinds of glass.

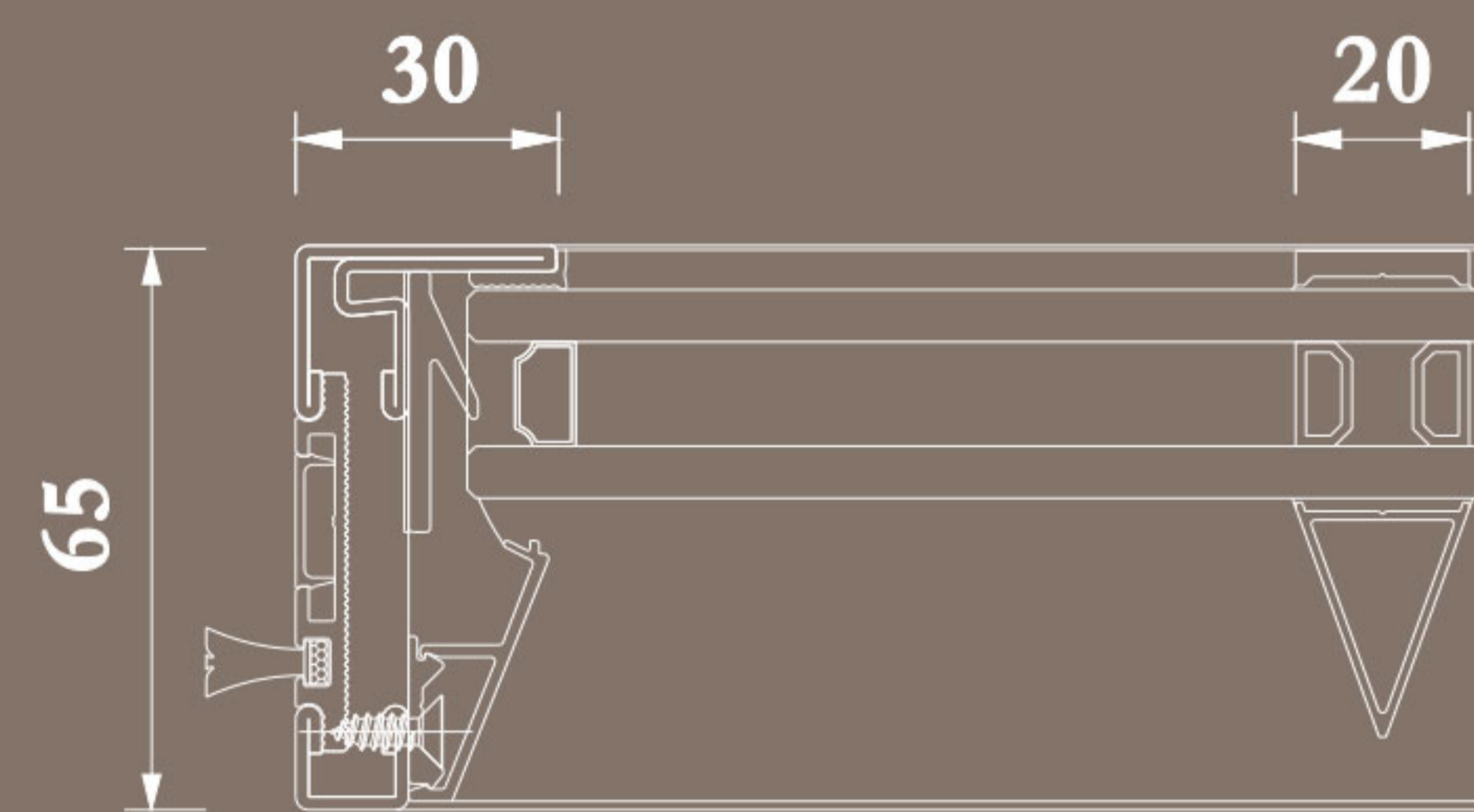


SLIM Club Door:

The door frame and sash are both made of thermally broken steel profiles.

This kind of cold-formed steel profiles have characteristics of high strength and they can make windows frame and sash very narrow.

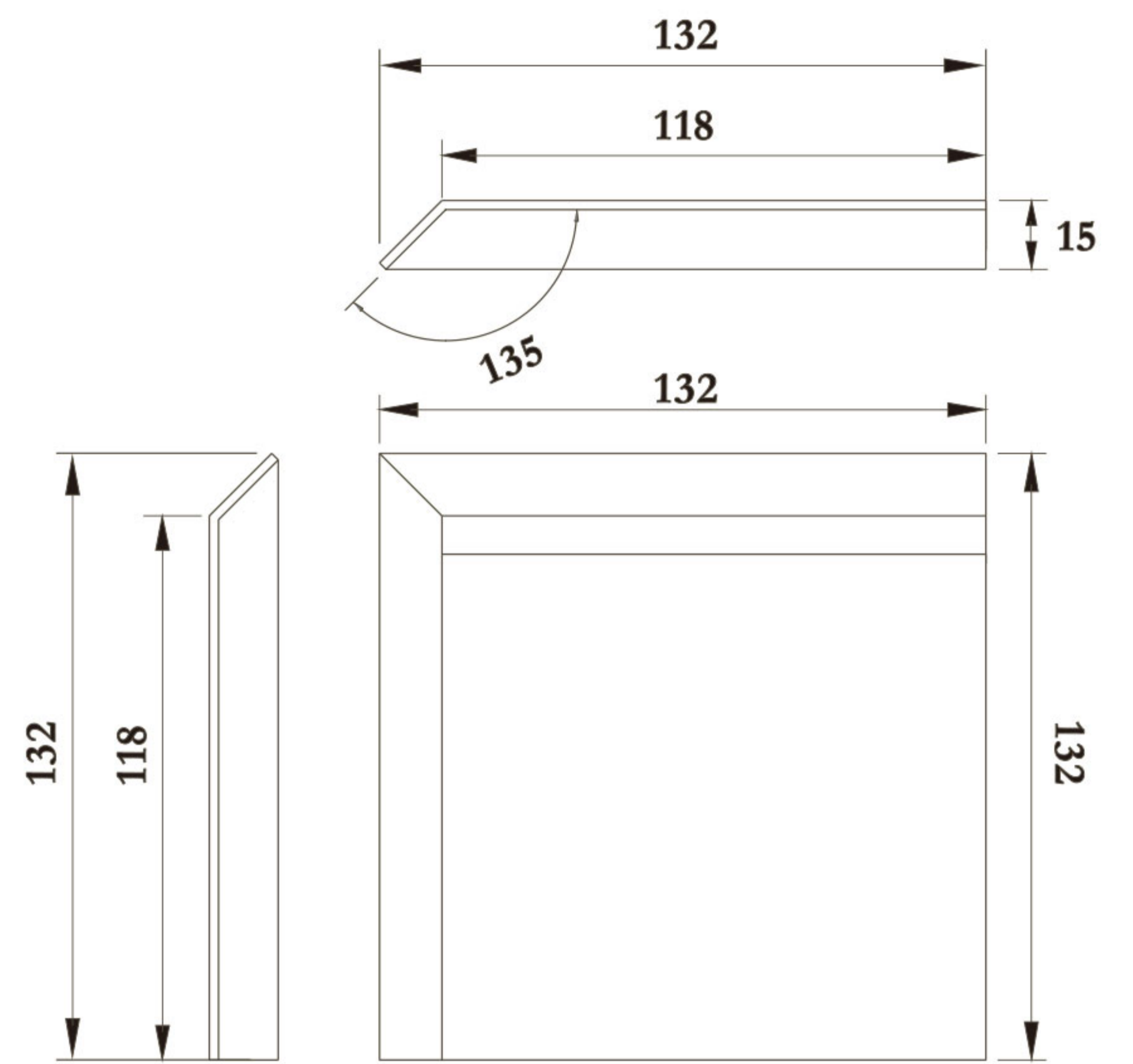
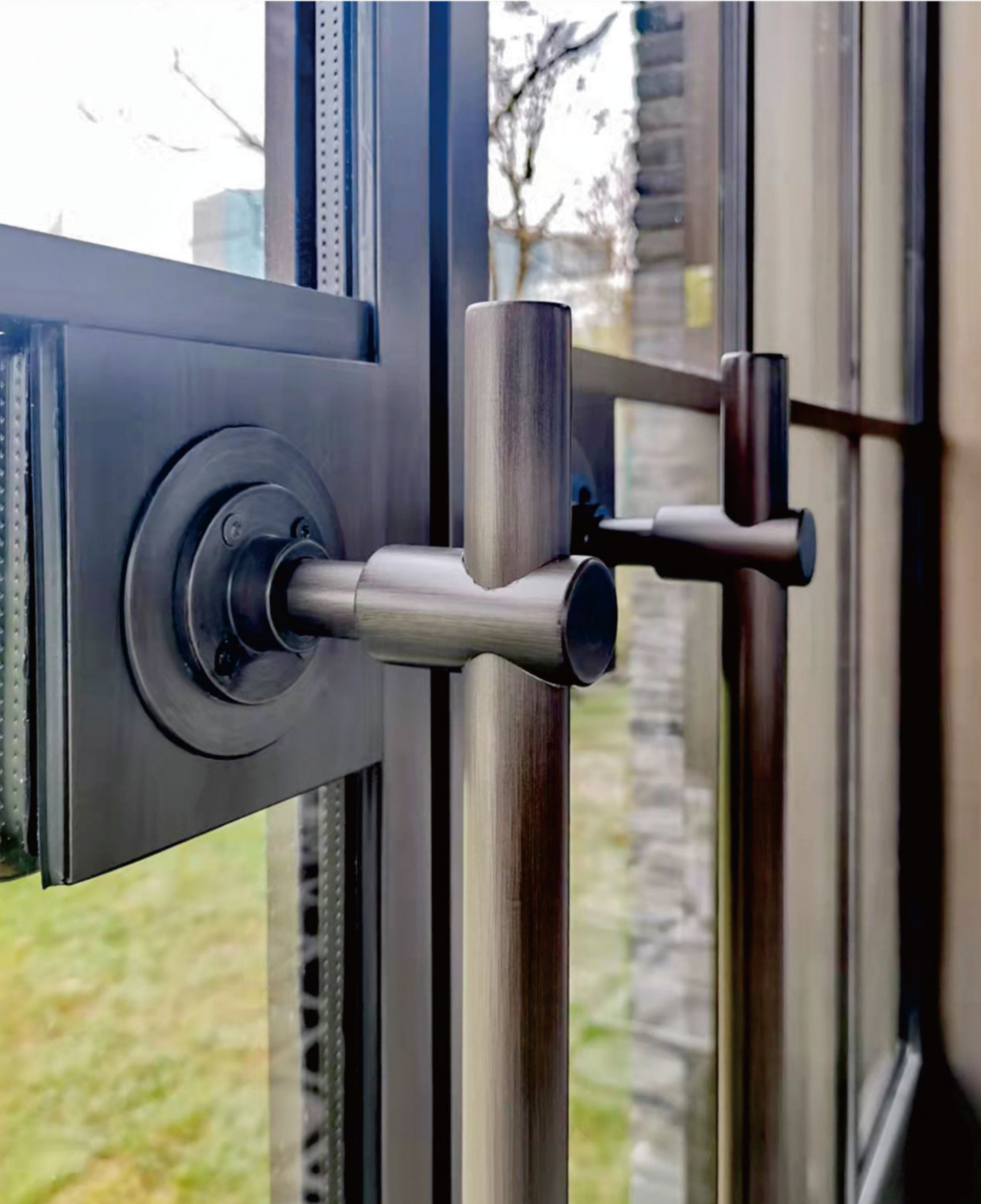
Metal frame is used by transfer coating surface treatment, highlighting the retro sense



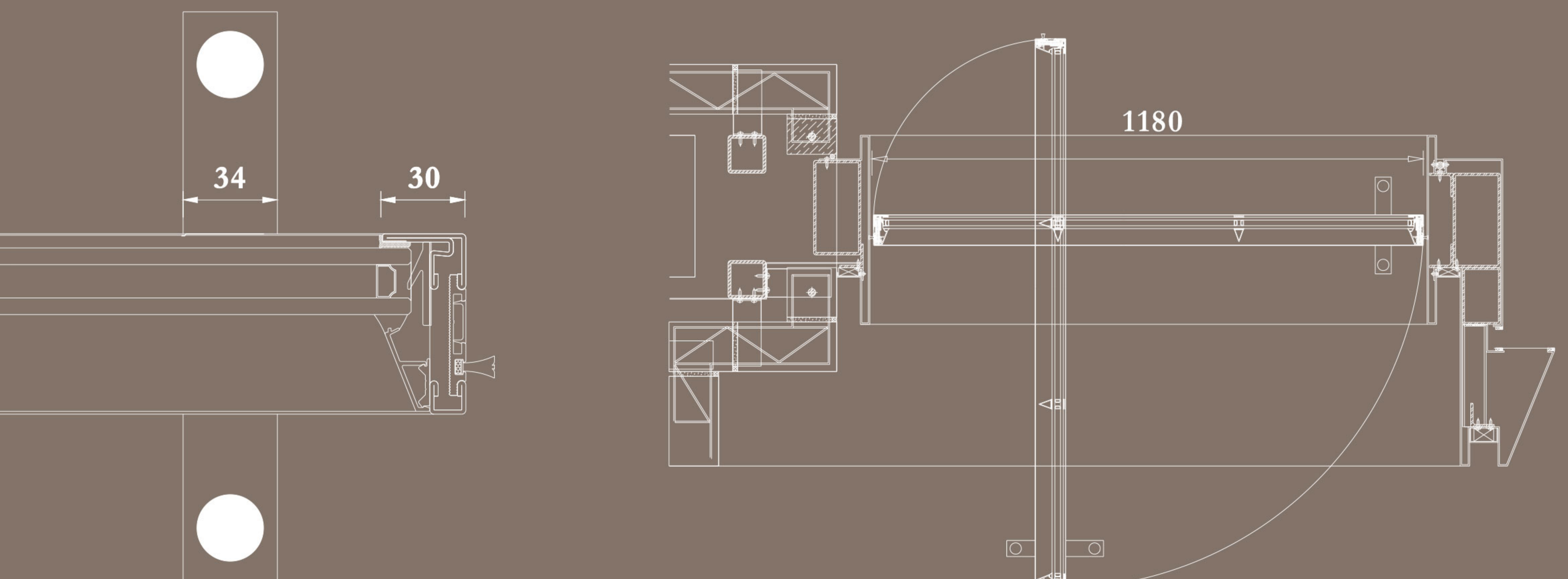
Club door node



SLIM65 custom handle and hardware

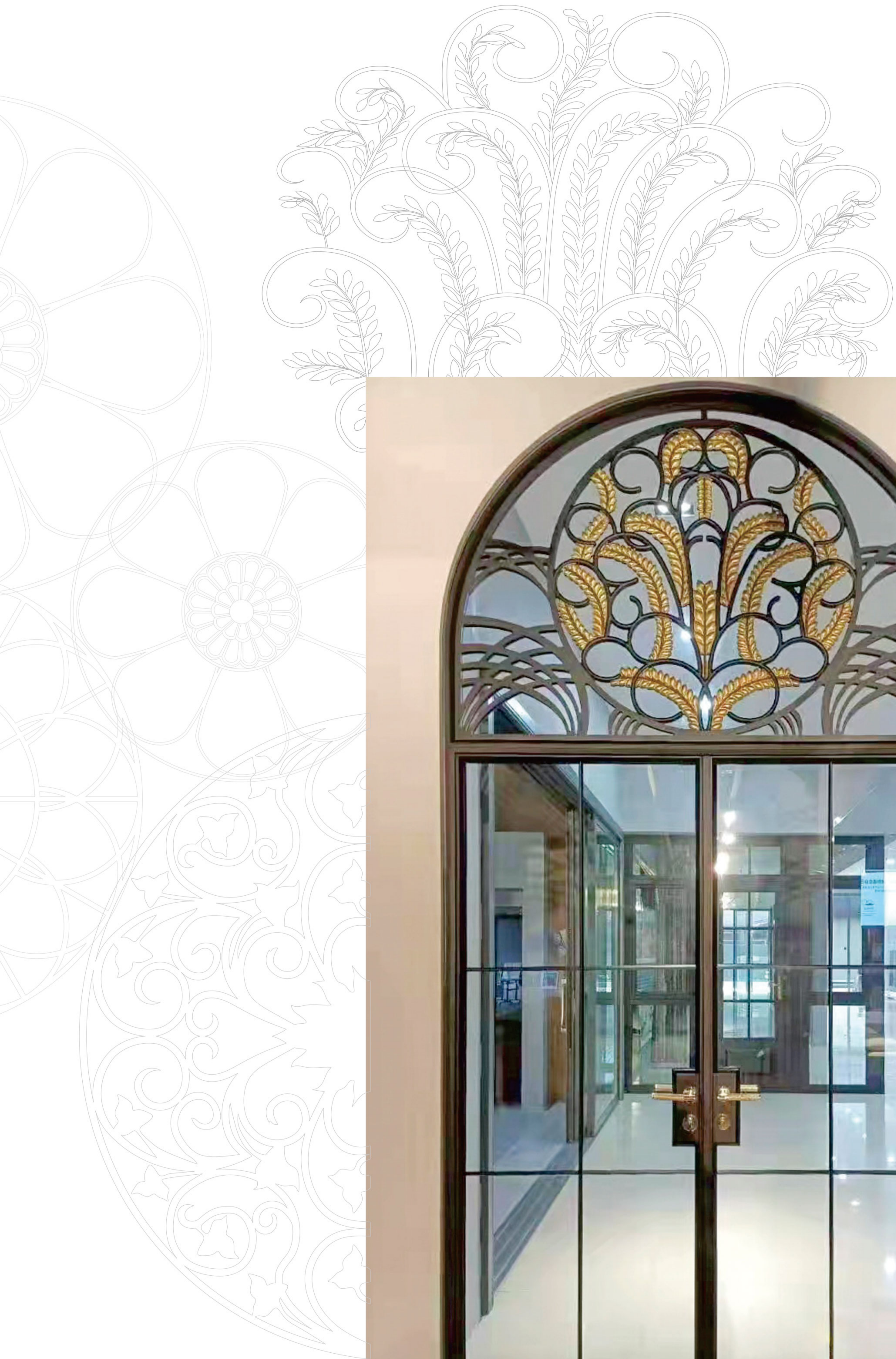


handle box drawing

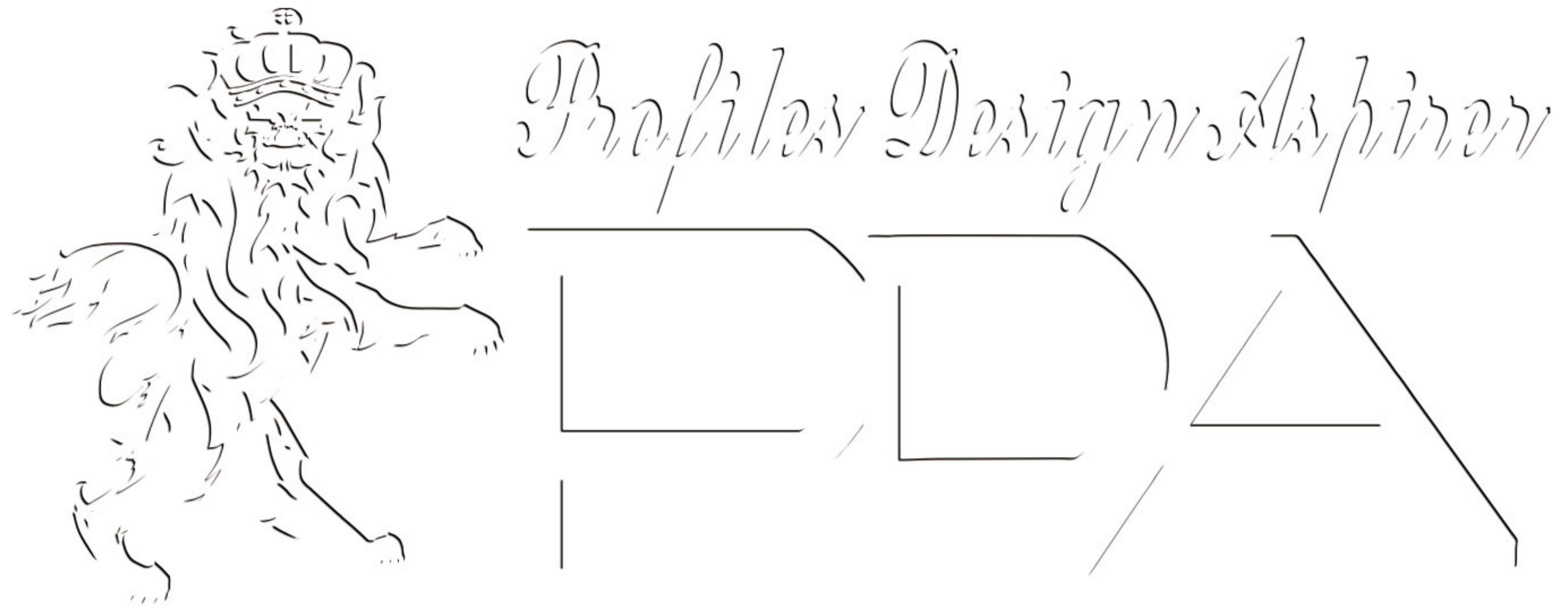


custom pattern carving









PDA website: www.international-pda.com

Contact: International Business Manager: Yini Tao

E-mail: taoyini@eng-pda.com

Marketing Manager: Nancy Zhao

E-mail: zhn@eng-pda.com